



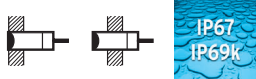
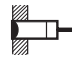
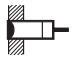
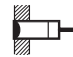


















General Purpose Inductive Proximity Switches

Overview

						
Housing	Cylindrical					
Model	E2A-M	E2A-S	E2F	E2E small diameter, TL, E2EL	E2A3	
Type			Standard	Miniature	Long distance flush mounting	
Housing Material	Brass	Stainless Steel	Plastic	Brass		
Features	<ul style="list-style-type: none"> designed and tested for extra long life highest quality consistency in manufacturing cost efficient solution 		<ul style="list-style-type: none"> high quality full body plastic housing for high water proof and chemical resistance requirements 	<ul style="list-style-type: none"> small diameters where mounting space is crucial 	<ul style="list-style-type: none"> long distance for flush mounting requirements 	
Key specifications	<ul style="list-style-type: none"> NO, NC or NO+NC DC 2-wire, DC 3-wire, DC 4-wire 12 - 24 VDC (10 - 32 VDC) IP67 IP69k 		<ul style="list-style-type: none"> NO or NC DC 3-wire 12 - 24 VDC (10 - 30 VDC) IP67, IP68 	<ul style="list-style-type: none"> NO or NC DC 3-wire 12 - 24 VDC (10 - 32 VDC) IP67 	<ul style="list-style-type: none"> NO or NC DC 3-wire 12 - 24 VDC (10 - 32 VDC) IP67 	
Max sensing distance	M12: 8 mm M18: 16 mm M30: 30 mm	M8: 4 mm M12: 8 mm M18: 16 mm M30: 30 mm	M8: 1.5 mm M12: 2 mm M18: 5 mm M30: 10 mm	dia 4: 0.8 mm M5: 1 mm dia 5.4: 1 mm dia 6.5: 2 mm dia 8: 2 mm	M8: 3 mm M12: 6 mm M18: 11 mm M30: 20 mm	
Connection	PVC M8, M12, customer specific Connector: M8, M12		PVC M8, M12, customer specific		PVC M8, M12, customer specific Connector: M8	
Page	D-9		D-29	E2E / Page D-45 TL / Page D-115 E2EL / Page D-99	D-35	

Overview

General Purpose Inductive Proximity Switches

				
Housing	Square			
Model	TL-W	E2S	E2Q2	TL-T
Type	Standard (flat shape)	Miniature	Long distance	Standard (thin shape)
Housing Material	Plastic (ABS)	Plastic (polyarylate)	Plastic (PBT)	Plastic
Features	<ul style="list-style-type: none"> High quality consistency High performance and cost efficient solution 	<ul style="list-style-type: none"> Small shapes where mounting space is crucial 	<ul style="list-style-type: none"> Long sensing distances Changable position of active face 	<ul style="list-style-type: none"> Thin shape for saving side-wall mounting
Key specifications	<ul style="list-style-type: none"> NO or NC DC 3-wire, (DC 2-wire) 12 - 24 VDC (10 - 30 VDC) IP67 	<ul style="list-style-type: none"> NO or NC DC 3-wire, DC 2-wire 12 - 24 VDC (10 - 30 VDC) IP67 	<ul style="list-style-type: none"> NO or NO+NC DC 3-wire, DC 4-wire 10 - 60 VDC IP67 	<ul style="list-style-type: none"> NO, NC or NO+NC DC 3-wire, DC 4-wire 12 - 24 VDC (10 - 30 VDC) IP67 
Max sensing distance	25 x 8 x 5: 1.5 mm 22 x 8 x 6: 3 mm 31 x 18 x 10: 5 mm 53 x 40 x 23: 20 mm	19 x 6 x 2: 1.6 mm 23 x 8 x 8: 2.5 mm	67 x 40 x 40: 20, 30 or 40 mm 118 x 40 x 40: 20, 30 or 40 mm	xx: 4 mm
Connection	Cable: PVC 	Cable: PVC 	Connector: M12 	Cable: PVC, PUR  Connector: M8 
Page	D-53	D-61	D-69	(CD)

ALL DIMENSIONS SHOWN ARE IN MILLIMETERS.
To convert millimeters into inches, multiply by 0.03937. To convert grams into ounces, multiply by 0.03527.