

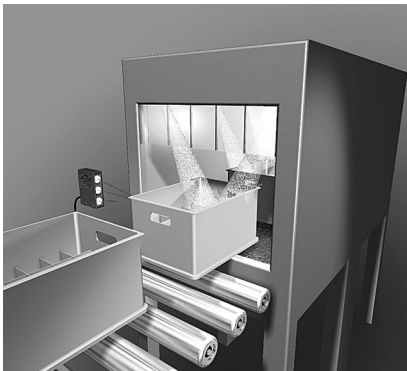
Harsh environment long distance photoelectric Sensor in metal housing

E3NT

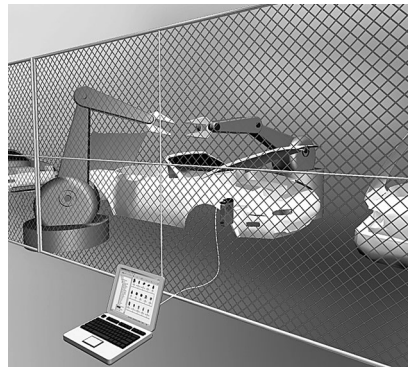
- 4 Diffuse reflective E3NT-L application optimized models:
 - Extra long distance type for setting distances up to 3 m
 - Window heating type for low temperature environments
 - Analog output type for distance information
 - Fast response type for high speed detection and counting
- Retro reflective E3NT-R models with sensing distance up to 16 m
- Two programmable outputs for 'window teaching'
- Double triangulation for stable detection of reflective objects
- IP67 and IP69k for highest resistance in wet environments



Application



Condensation in often cleaned environments or due to rapid temperature changes is prevented by the completely sealed housing of the E3NT and the optional window heating.



With the optic link, the sensor can be remotely set and checked while it is operating in an area where access is restricted.



This robust sensor is ideal for operation in harshest environments.

Ordering Information

Sensors

| Sensing method | Type | Appearance | Connection method | Sensing / Setting distance | Model | |
|----------------------------|--|---------------|------------------------|---|-------------------------------|----------|
| Distance setting (BGS/FGS) | Long distance | | M12 Connector (5-pole) | 0.2 m .. 3.0 m (90% remission) 0.2 m .. 2.7 m (6% remission) | E3NT-L17-20 | |
| | | | | | E3NT-L37-20 | |
| | Window heating | | | 0.2 m .. 2.0 m | E3NT-LH17 | |
| | | | | | E3NT-LH37 | |
| | Fast response | | | | E3NT-L17 | |
| | | | | | E3NT-L37 | |
| | Analog and digital output | | | | E3NT-L27 | |
| | | | | | E3NT-L47 | |
| | Retro reflective (with MSR-polarisation) | Long distance | | | 0.2 m .. 16.0 m (with E39-R8) | E3NT-R17 |
| | | | | | | E3NT-R37 |

Accessories (order separately)




Optical data link

| Communication method to sensor | Appearance | Communication method to PC | Model |
|--------------------------------|------------|----------------------------|---------------|
| IR data interface | | RS232 | E3NT-AL232 2M |

Laser alignment aid

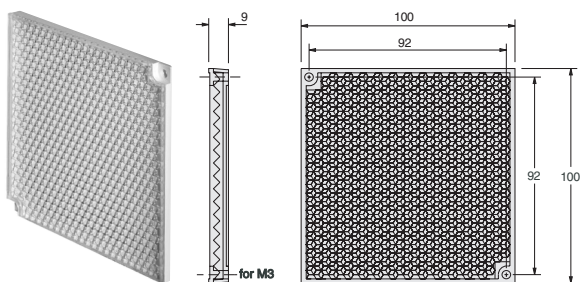
| Max. distance for visible spot | Appearance | Operation time | Model |
|--------------------------------|------------|-------------------------------|----------|
| 50 m | | min. 5 hours with new battery | E3NT-AP1 |

Mounting brackets

| Appearance | Model | Qty. | Remarks |
|---|---------|------|--|
|  | E39-EL1 | 1 | Universal mounting bracket |
|  | E39-EL2 | 1 | Adapter bracket (for use of the universal mounting bracket for not matching holes) |
|  | E39-EL3 | 1 | Adapter bracket replacing E3N with E3NT |

Reflectors

E39-R8



Sensor I/O connectors

| Size | Cable type | Shape | Cable length | Model |
|-------------------|--|-------------------|-------------------|-------------------|
| M12 | Standard 5-pole | Straight | 2m | XS2F-D521-DG0-A |
| | | | 5m | XS2F-D521-GG0-A |
| | | L-shape | 2m | XS2F-D522-DG0-A |
| | | | 5m | XS2F-D522-GG0-A |
| | Standard 4-pole (Pin 5 not connected) | Straight | 2m | 934 401 101 (PVC) |
| | | | | 934 401 201 (PUR) |
| | | | 5m | 934 401 100 (PVC) |
| | | 934 401 200 (PUR) | | |
| L-shape | | 2m | 934 402 102 (PVC) | |
| | | | 934 402 201 (PUR) | |
| | 5m | 934 402 100 (PVC) | | |
| 934 402 200 (PUR) | | | | |

Rating/performance

Sensors

| Item | Model | | | | |
|---|--|---|--|---|--|
| | E3NT-L17 E3NT-L37 | E3NT-L27 E3NT-L47 | E3NT-LH17 E3NT-LH37 | E3NT-L□7-20 | E3NT-R |
| Sensor type | Diffuse reflective sensor with background suppression respectively foreground suppression | | | | Retroreflective sensor |
| Signal evaluation | Double triangulation method | | | | Polarization |
| Configuration | By push button on the sensor or with a PC connected via the optical data link E3NT-AL232 2m | | | | |
| Operating modes | Background suppression, foreground suppression, background and foreground suppression (2-point window evaluation) | | | | --- |
| Light source | Infrared LED 850 - 880 nm | | | | Red LED 660 nm |
| Rated sensing distance | 2 m | | 3 m | | 16 m |
| Setting distance Sr | Distance – setting possible between | | | | --- |
| | 0.2 ... 2.0 m (90 % remission) 0.2 ... 1.7 m (6 % remission) | 0.2 ... 2.0 m (90 % remission) 0.2 ... 1.4 m (6 % remission) | 0.2 ... 3.0 m (90 % remission) 0.2 ... 2.7 m (6% remission) | 0.2 ... 16.0 m | |
| Standard measured object | Kodak gray card 90% (white), size: 200 x 200 mm | | | | --- |
| Blind zone | < 0.1 m | | | | < 0.15 m |
| Black/white error (6%/90%) | < 15 % of setting distance Sr | | | | --- |
| Hysteresis (typical) | < 5 % of setting distance Sr or 4 cm (for white 90 %) < 10 % of setting distance Sr or 6 cm (for black 6 %) | | < 10 % of setting distance Sr or 10 cm (for white) < 15 % of setting distance Sr or 10 cm (for black) | | --- |
| Repetition accuracy | < 5 % (of setting distance Sr) or 4 cm | | < 5 % (of setting distance Sr) or 10 cm | | --- |
| Light spot diameter | < 40 mm in the case of Sr = 2 m | | | | app. 100 mm ^{*1} at 10 m |
| Minimum object size | > 40 mm | | | | |
| Ambient light immunity to EN 60947-5-2: | Halogen lamps (100-120 Hz) > 10,000 lux Fluorescent lamps (30 kHz) > 5,000 lux Energy saving lamps > 2,000 lux | | | | |
| Utilization category to EN 60947-5-2 | DC 12 | | | | |
| Rated operating voltage | + 24 V DC, polarized | | | | |
| Operating voltage range | + 10 ... + 30 V DC | | | + 11 ... + 30 V DC | + 10 ... + 30 V DC |
| Current consumption | < 90 mA (display off) < 110 mA (display on) | < 100 mA (display off) < 120 mA (display on) | < 220 mA with front pane heating | < 110 mA (display off) < 130 mA (display on) | < 80 mA (display off) < 110 mA (display on) |
| Power-on delay | < 300 ms | | | | |
| Input – / Output – pins | Pin 2 = Input (In 2) or output (Out 2), depending on configuration Pin 4 = Output (Out 1) | | | | |
| | Pin 5 = Input (In 1) | Pin 5 = Analog output | Pin 5 = Input (In 1) | | |
| Digital Outputs | User set functions (e.g. switching output, alarm output, ...) | | | | |
| Output circuit | User set PNP (open collector), NPN (open collector) or complementary (push-pull) | | | | |
| Output current | max. 100 mA | | | | |
| Voltage drop | < 2.0 V | | | | |
| Residual current | < 100 µA | | | | |
| Circuit protection | Reversed power supply, overload, short-circuit (pulsed) | | | | |

| Item | Model | | | | |
|--|---|---|------------------------|---|---|
| | E3NT-L17 E3NT-L37 | E3NT-L27 E3NT-L47 | E3NT-LH17 E3NT-LH37 | E3NT-L□7-20 | E3NT-R |
| Inputs | User set functions (e.g. teach-in, trigger, test, ...) | | | | |
| Input circuit | Voltage input +10 V ... U _{supply} | | | Voltage input +11 V ... U _{supply} | Voltage input +10 V ... U _{supply} |
| Input pulse duration | min. 1 ms | | | | |
| Analog Output | | Current output 3..21mA: • 3 mA correspond to distance < 0.2 m • 4 ... 20 mA correspond to distance 0.2 m ... 2.0 m • 21 mA correspond to distance > 2.0 m (or no object) | | | |
| Switch-on/off time (T _{ON} / T _{OFF}) | ≤2.5 ms | ≤5 ms | ≤2.5 ms | ≤20 ms | ≤2.0 ms |
| Insulation resistance | 20 MΩ at 500 V DC | | | | |
| Insulation voltage strength | 1,0 kV AC, 50/60 Hz (1 min) | | | | |
| Impulse strength (insulation) | 1,5 kV | | | | |
| Dimensions (length x width x depth) | 85 x 27 x 65 mm | | | | |
| Materials | | | | | |
| Housing | Powder-coated aluminum, sea-water resistant, 231 GD AlSi12 (Cu) (standard version) | | | | |
| Front pane | Glass | | | | |
| Keyboard | HTV silicone | | | | |
| Seals | RTV silicone | | | | |
| Housing color | Grey, RAL 7030 | | | | |
| Assembly | Screw fastening by way of four M5 threads and two M5 through holes or with universal mounting bracket (order separately) | | | | |
| Connection | M12 connector, 5-pole (piercing) | | | | |
| Ambient temperature range | - 25 °C ... + 55 °C | - 10 °C ... + 55 °C (analog output) | - 40 °C ... + 55 °C | - 25 °C ... + 55 °C | |
| Storage temperature range | - 40 °C ... + 60 °C | | | - 40 °C ... + 70 °C | |
| Permissible relative humidity | 35 % ... 95 %, no condensation | | | | |
| Enclosure rating | IP 67 (EN 60529), IP 69k (DIN 40050) | | | | |
| Protection class | II (50 V DC) | | | | |
| Vibration resistance | ± 1.5 mm, 1 h, 10 - 70 Hz (IEC 68-2-6) | | | | |
| Shock resistance | 300 m/s ² (IEC 68-2-27) | | | | |
| User set parameters | <ul style="list-style-type: none"> - Mode - Output function - Teach/set switching points - Output switching - Function on connector pin 2 and 5 - Switch-on and off delay - Type of switch-off time function - Type of display on the sensor - Keyboard lock - Energy saving mode - Display direction - Reset to factory defaults | | | | |

*1. see diagramm

Accessories

E3NT-AL 232 2 M

| Item | |
|--|--|
| Dimensions (length x width x depth) | 29.5 x 72.9 x 26.4 mm |
| Housing material | ABS and PMMA (IR transparent) |
| Housing colour | Black, RAL 9005 |
| Assembly | Snap mounting on sensor |
| Connection | 2 m connecting cable with 9-pole sub-D connector |
| Ambient temperature range | - 10 °C ... + 50 °C |
| Storage temperature range | - 40 °C ... + 60 °C |
| Permission relative humidity | 35% ... 85%, no condensation |
| Degree of protection to EN 60529 / IEC 529 | IP 54 |
| Emitted light | IR communication element 880 nm |
| Rated operating voltage | Via RS 232 interface from PC |
| Current consumption | 6 mA |

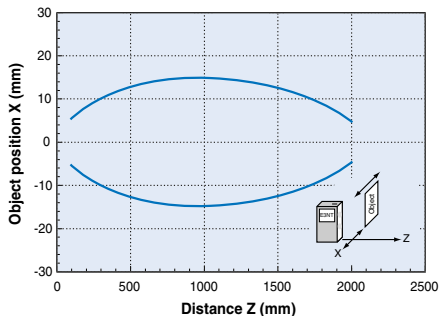
E3NT-AP1

| Item | |
|---------------------------------------|--|
| Supply voltage | 3 V DC |
| Battery type | Button battery Ø 11.6 mm, thickness: 5.4 mm, 3 Vm, type: CR1/3N |
| Ambient temperature range | + 10 °C ... + 40 °C |
| Storage temperature range | - 40 °C ... + 60 °C (with no icing or condensation) |
| Ambient humidity | Operation and storage: 35% ... 85% (with no icing or condensation) |
| Ambient environment | No corrosive gases |
| Operation time period | min. 5 hours operation with 1 new battery |
| Degree of protection | IP20 (EN 60529) |
| Case material | Case: ABS/PC Base plate: Aluminium |
| Weight | Approx. 42 g |
| Accessories: | 1 Instruction sheet, 1 battery type CR1/3N |
| Max. distance for a visible beam spot | about 50 m (depending on the ambient light and surface conditions) |
| Laser beam power | < 1 mW |
| Laser class | Laser Class II |

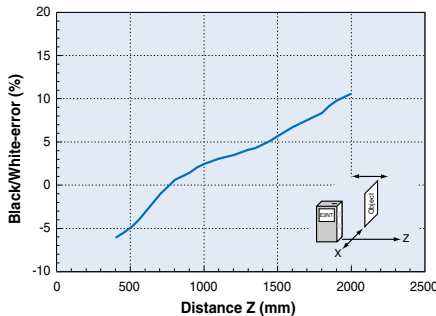
Characteristic data (typical)

E3NT-L17/L37 and E3NT-LH17/LH37

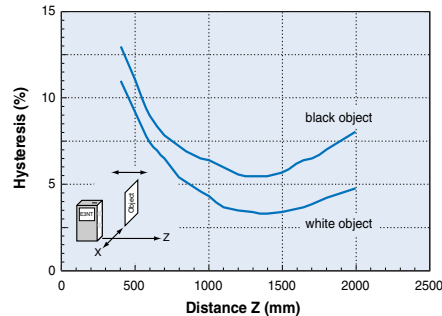
Operating range
(90% remission)



Black/White - Error
(6% - 90% remission)

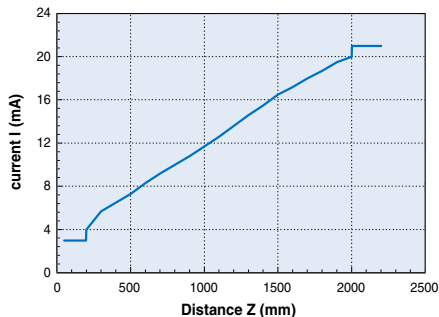


Hysteresis



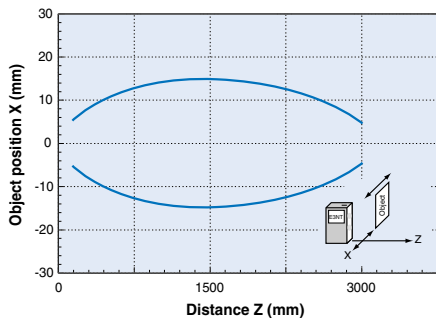
E3NT-L27/L47

Analog output current
(90% remission)

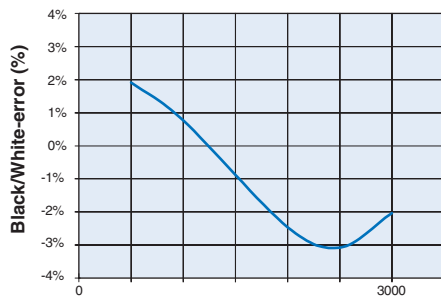


E3NT-L17-20 and E3NT-L37-20

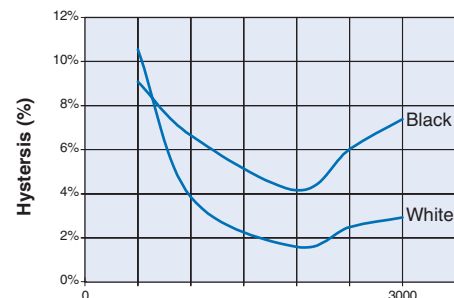
Parallel Operating range



Black/White - Error
(6% - 90% remission, typical)

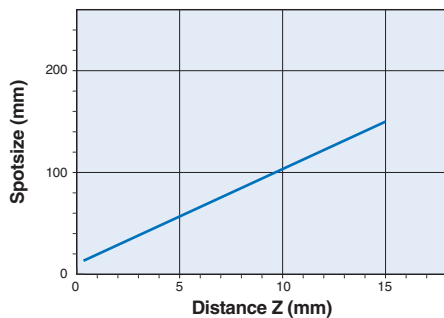


Hysteresis (typical)



E3NT-R

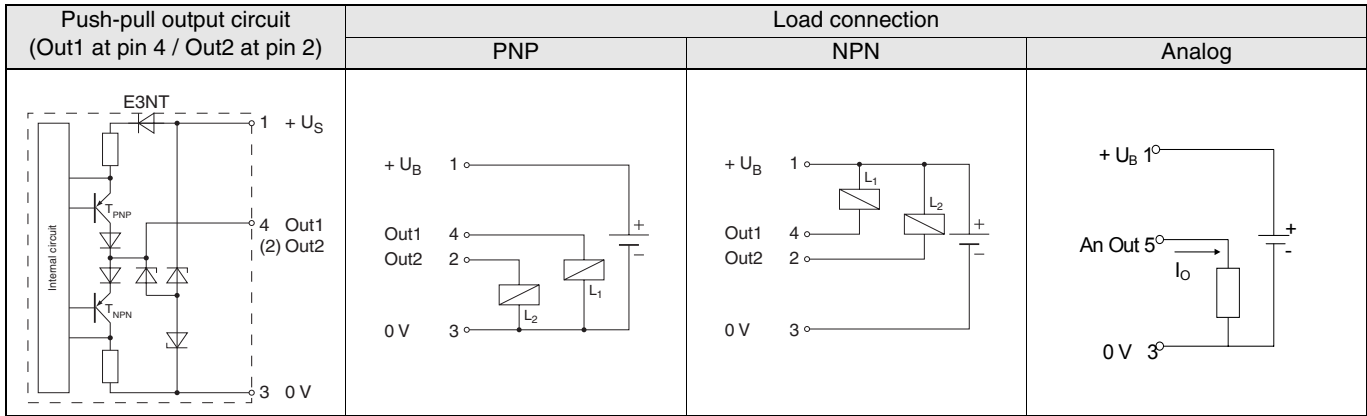
Spotsize



E3NT

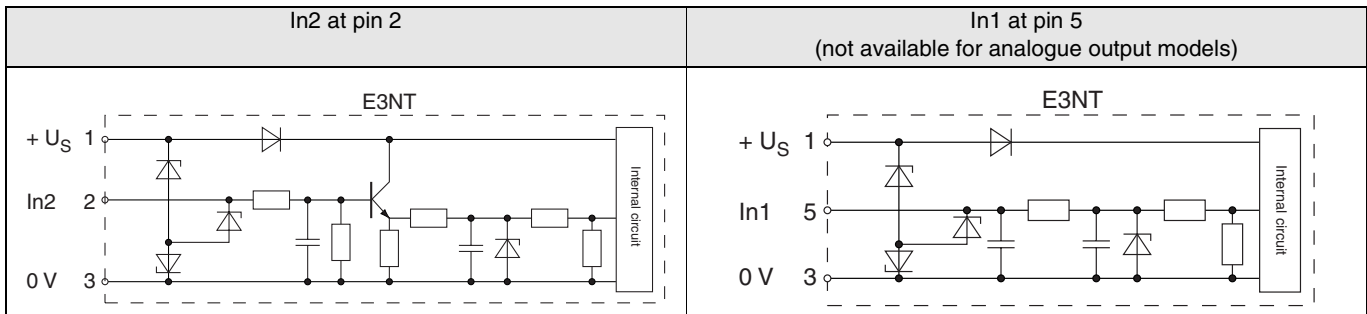
Circuit diagram

Output



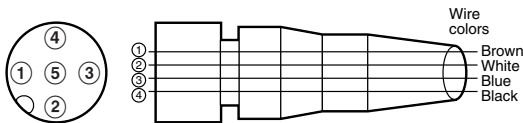
When use is made of the PNP or NPN output circuit, the output circuit that is not selected is deactivated. When used as a complementary output, NPN or PNP outputs act in antiphase as the switch state changes.

Input



The sensor inputs are realised in positive logic and detect a positive voltage level of more than 1 ms duration as a valid signal if the voltage level is between 10 V and the power supply voltage.

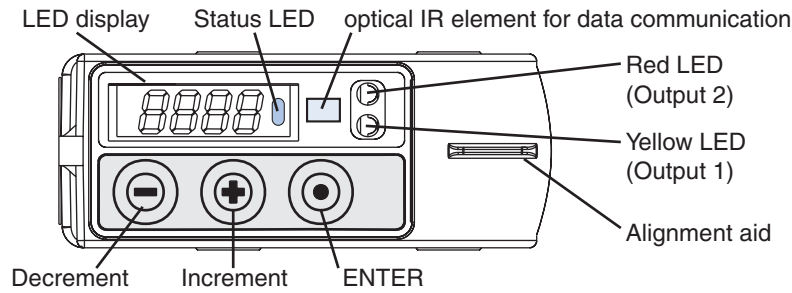
Connectors



| Class | Wire jacket color | Connector pin no. | Application |
|--------|-------------------|-------------------|----------------------------|
| For DC | Brown | 1 | Power supply (+V) |
| | White | 2 | Output or Input Out2 / In2 |
| | Blue | 3 | Power supply (0V) |
| | Black | 4 | Output Out1 |
| | Grey | 5* | Analog Output or Input In1 |

* Not connected for standard 4-pole connectors

Nomenclature



| | | | |
|-------------|--|--|----------------------------|
| LED display | The distance from the measured object and the names of the menu levels during set-up of the sensor are displayed by the 4-digit 7-segment LED display. The display appears as red digits or letters. If the sensor is set to a bar chart display, the distance from the measured object is displayed as a green LED bar chart. | | |
| LED | The switching status and the stability of the two outputs are signalled as follows by two LEDs, visible from the top and the front of the sensor: | | |
| | Yellow LED (Output 1) | ON | Object stably detected |
| | | Blinking | Object not stable detected |
| | | OFF | No object within range |
| | Red LED (Output 2) | ON | Object stably detected |
| | | Blinking | Object not stable detected |
| | | OFF | No object within range |
| Status LED | ON | Set-up menu selected | |
| | Blinking | Menu level with change of setting distance | |
| | OFF | RUN (normal) mode | |

Operation

Setting the switching points

The switching points can either be user set (Teach-in mode) with a measured object positioned at the corresponding distance or can be set using the setting input, for remote setting. For each output of the sensor (up to two), up to two switching points can be user set.

Only one switching point is active in the foreground and background suppression modes.

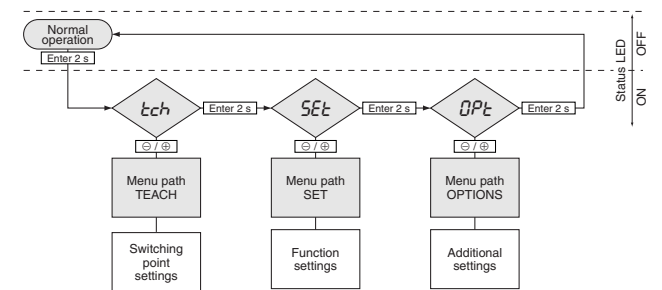
For the 2-point window evaluation mode, two switching points must be set.

Teaching the switching points in the normal mode

The sensor is set at the factory for both outputs to **BGS**, light on.

- Place the target object in front of the sensor at the desired position.
- Teach the switching point for output 1:
 - Beginning with the ⊕ key, press it simultaneously with the ENTER ⊙ key. Threshold level is obtained and the output/LED is updated. Status LED is blinking.
 - Using the ⊕/⊖ keys an adjustment of the switching point is possible. The output/LED is updated immediately.
 - Pressing the ENTER ⊙ key for more than 2 seconds or after 2 minutes without any activation of the keys, the sensor returns to normal operation. The status LED is turned off.
- Teach the switching point for Output 2:
 - Beginning with the ⊖ key, press it simultaneously with the ENTER ⊙ key.

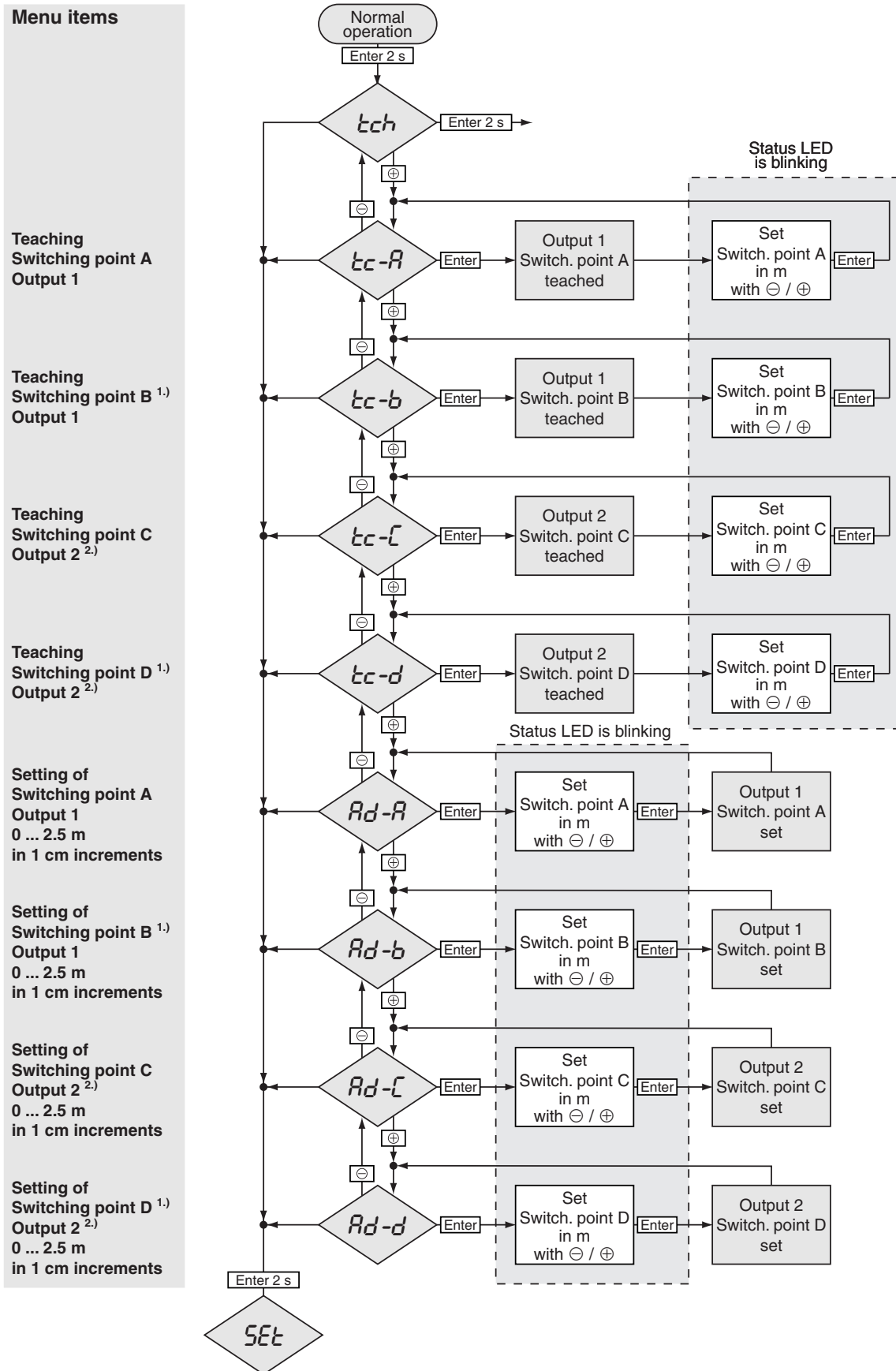
Main menu structure



When the ENTER ⊙ key is pressed for 2 seconds, the sensor switches from the normal mode to the TEACH menu path. The sensor switches to each next menu path when the ENTER ⊙ key is repeatedly pressed for 2 seconds. In the menu paths, the required parameters can be selected by pressing ⊖ and ⊕ keys.

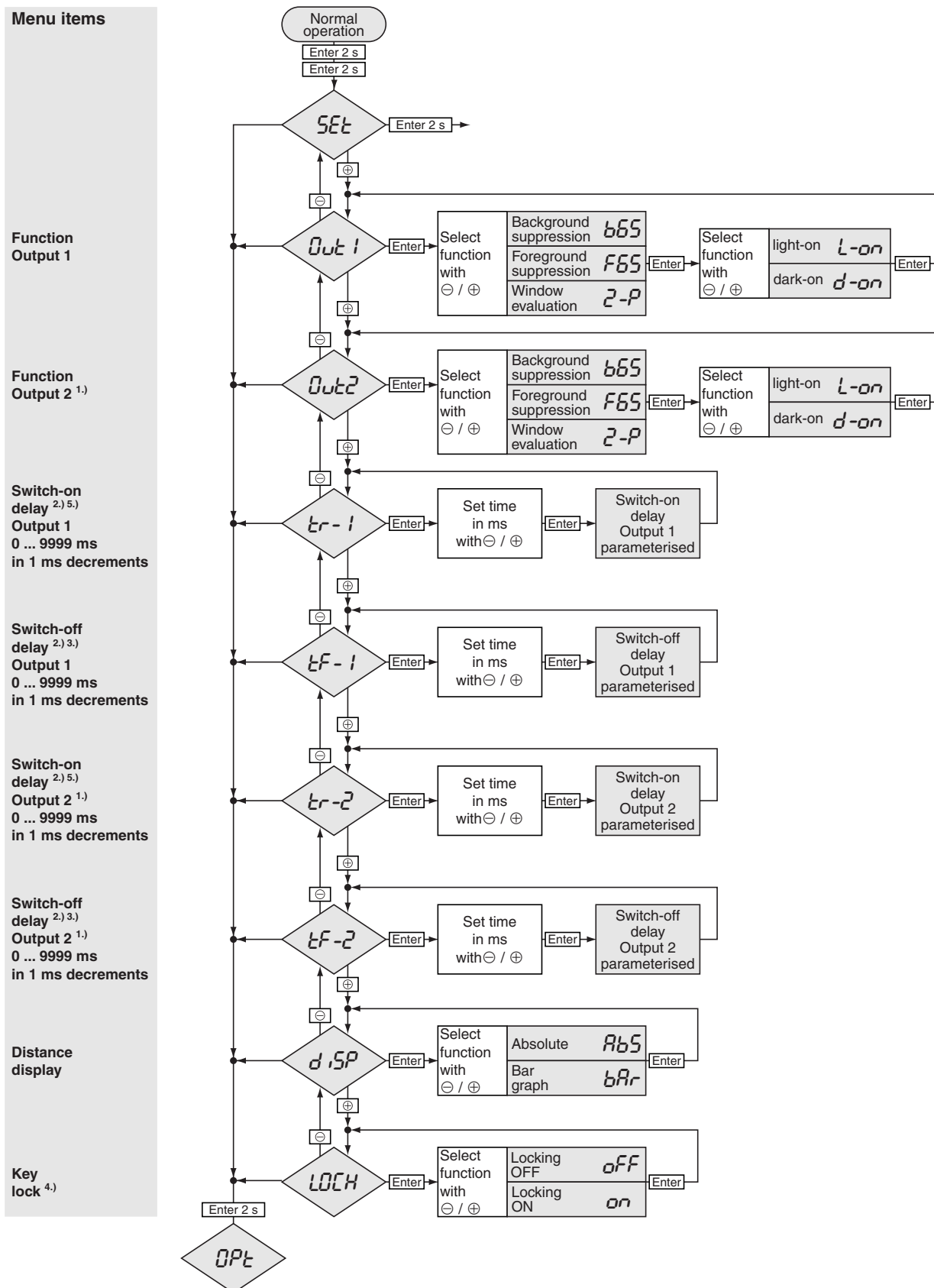
- To skip a menu path, you can also press the ENTER key for 4 seconds.
- [ENTER] Press the ENTER ⊙ key < 1 second
- [ENTER 2s] Press the ENTER ⊙ key > 2 seconds.

TEACH menu



1.) In the 2-point window evaluation mode, two switching points (A/B and C/D) can be set for each output. In the foreground and background suppression modes, only one switching point (A and C) can be set for each output. Then, only these switching points, A and C, can be set in the TEACH menu path. B and D switching points are not available.
 2.) If connector pin 2 is set as an input, only the switching points for Output 1 can be set.

SET menu

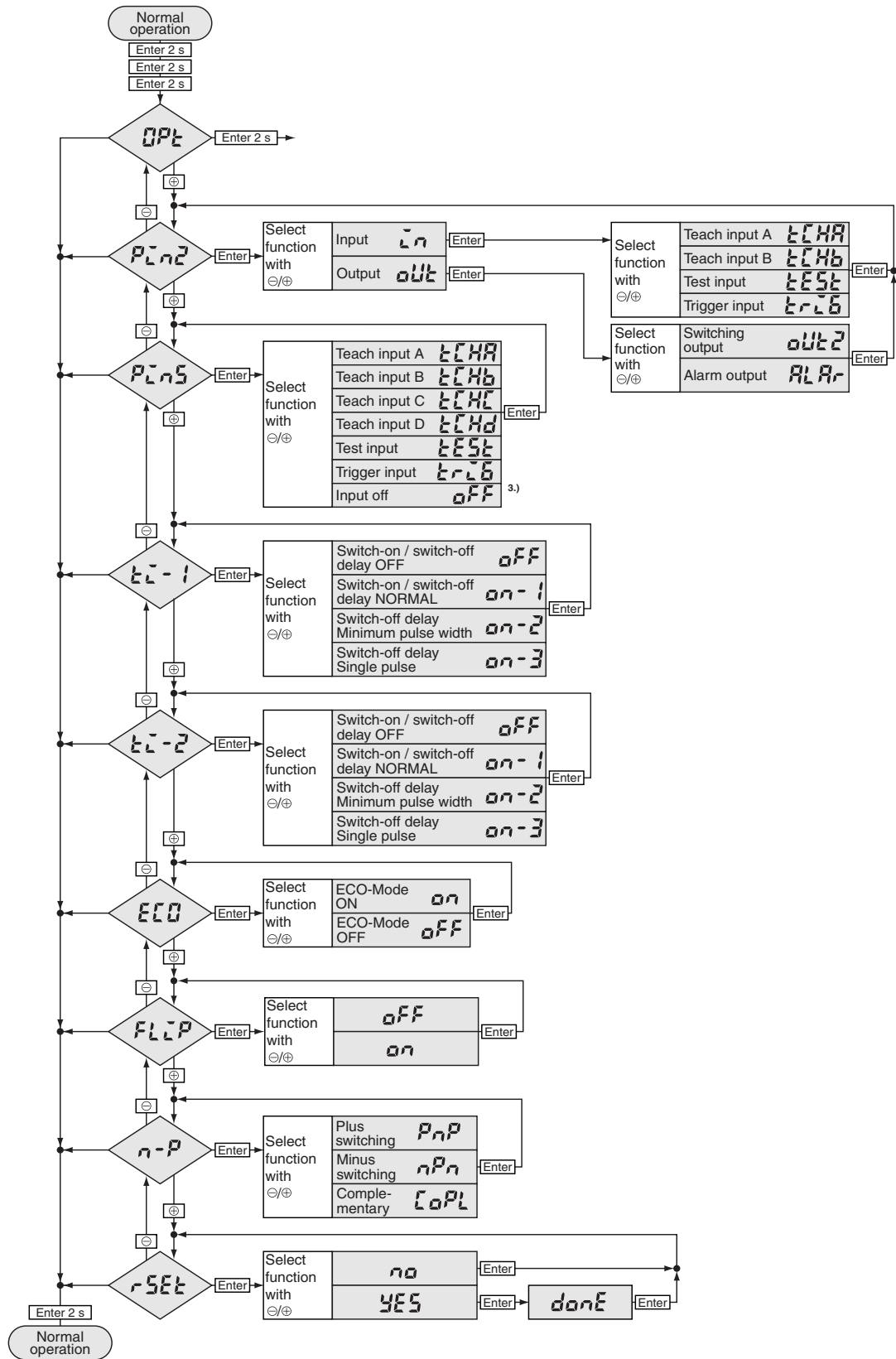


- 1.) If connector pin 2 is set as an input, the switch-on/off delay function can only be set for Output 1. A second switching output is not available.
- 2.) If the switch-on/off delay is off in the OPTIONS menu path, the switch-on/off delay parameters do not appear in the SET menu path.
- 3.) The outputs behave differently depending on the switch-off delay function that is set in the OPTIONS menu path.
- 4.) The key lock becomes active again when no keys have been pressed for approx. 5 minutes.
The key lock can be temporarily cancelled by pressing the ⊕ and ⊖ keys for 4 seconds.
- 5.) The On-delay-setting *tr-1* or *tr-2* are only available if the switch-on/off delay in the OPTIONS menu path is set to *on-1*.

OPTIONS menu

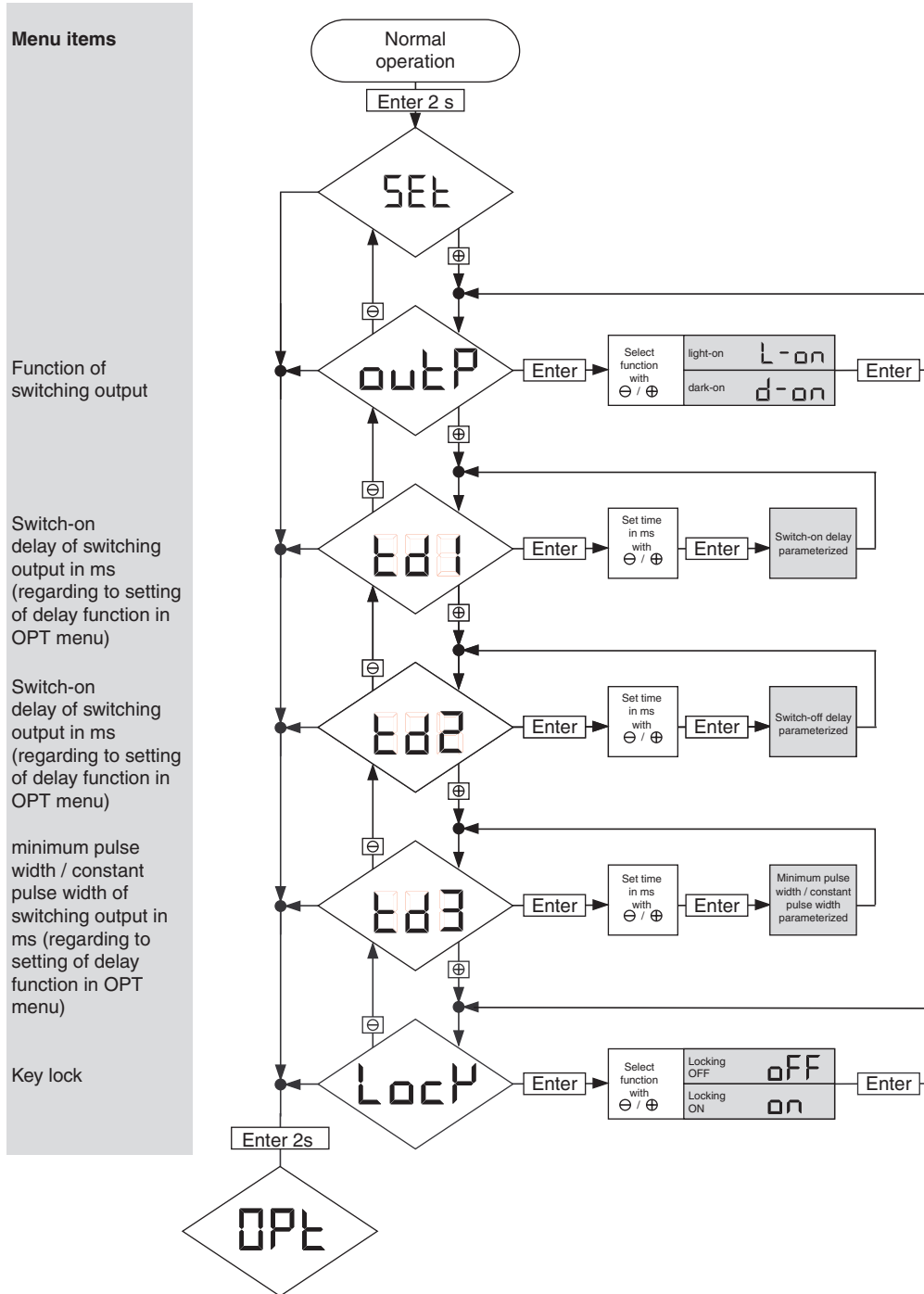
Menu items

- Function Connector pin 2
- Function Connector pin 5
- Function Switch-on / switch-off delay Output 1
- Function Switch-on / switch-off delay Output 2 ¹⁾
- Energy saving mode ECO ²⁾
- Turn display
- Output stage
- Reset to Works default



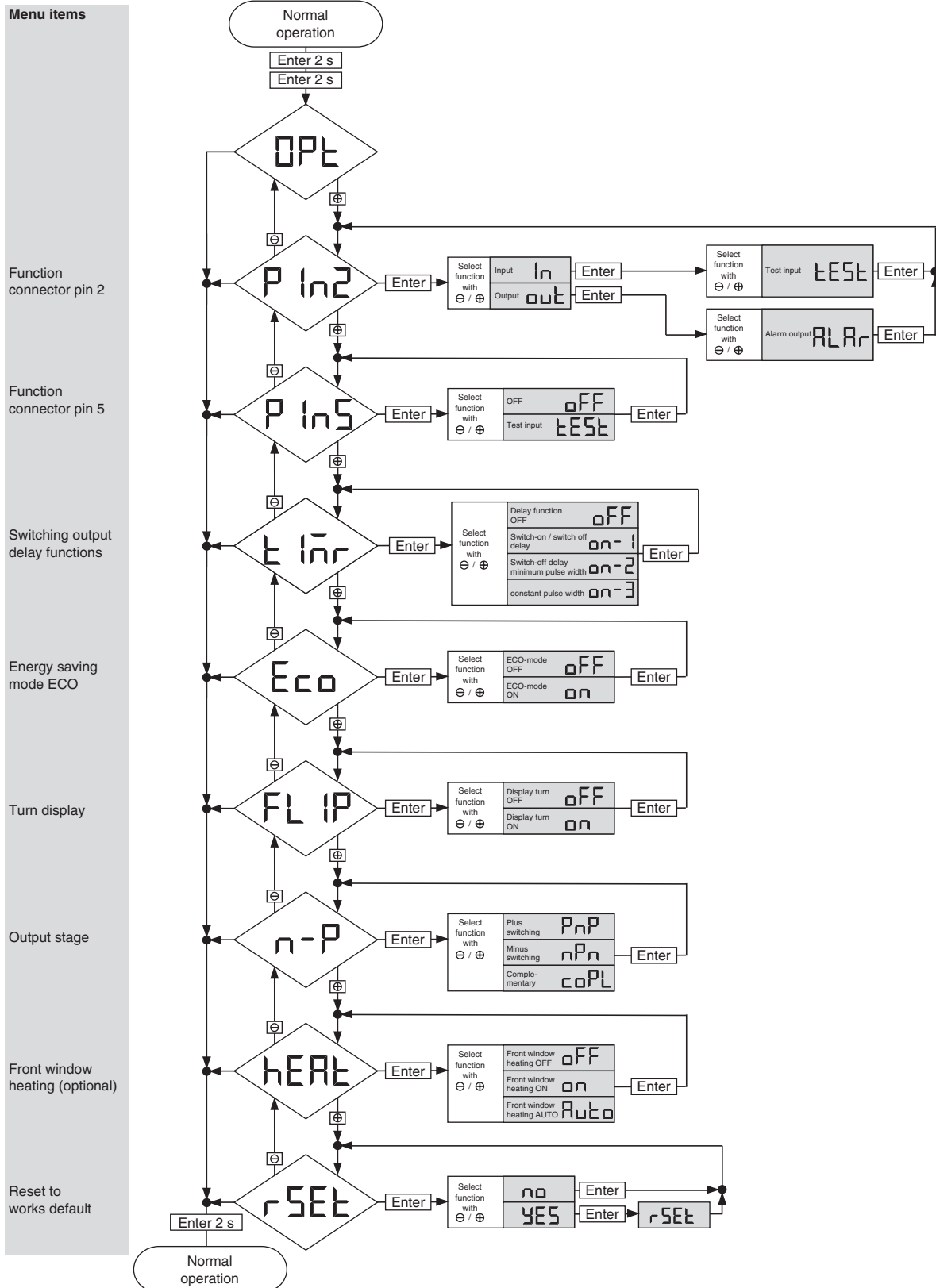
- 1.) If connector pin 2 is set as an input, the type of switch-on/off delay option can only be set for Output 1.
- 2.) If the ECO energy saving mode is on, the display is switched off if no keys are pressed for about 5 minutes. The display is switched on again when any key is pressed.
- 3.) Firmware 1.10 and higher

SET menu E3NT-R



- Menu items**
- Function of switching output
 - Switch-on delay of switching output in ms (regarding to setting of delay function in OPT menu)
 - Switch-on delay of switching output in ms (regarding to setting of delay function in OPT menu)
 - minimum pulse width / constant pulse width of switching output in ms (regarding to setting of delay function in OPT menu)
 - Key lock

OPTIONS menu E3NT-R

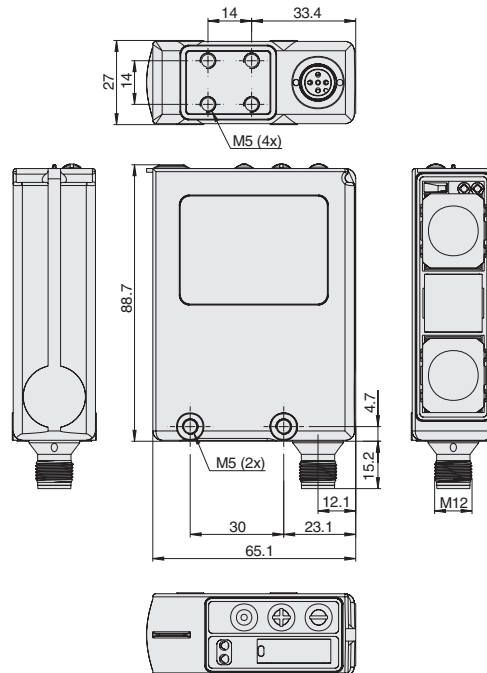
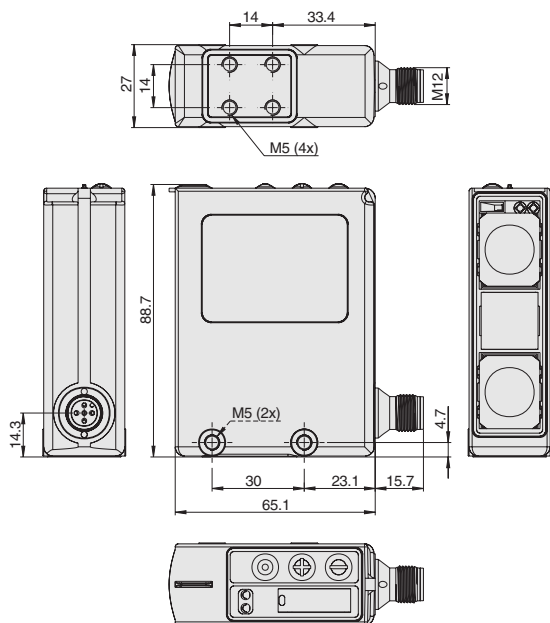


Dimensions

Sensors

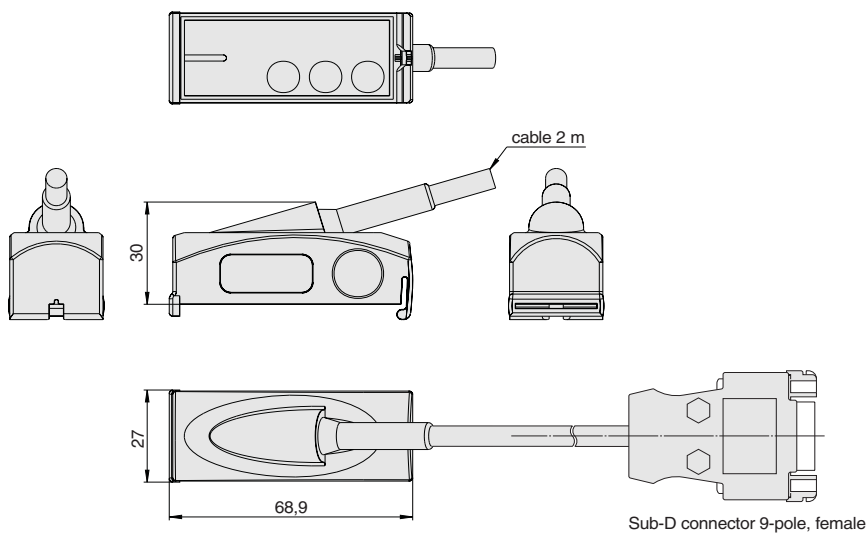
E3NT-L17
E3NT-L27
E3NT-LH17

E3NT-L37
E3NT-L47
E3NT-LH37

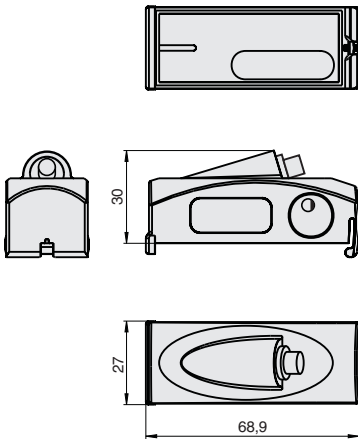


Accessoires (order separately)

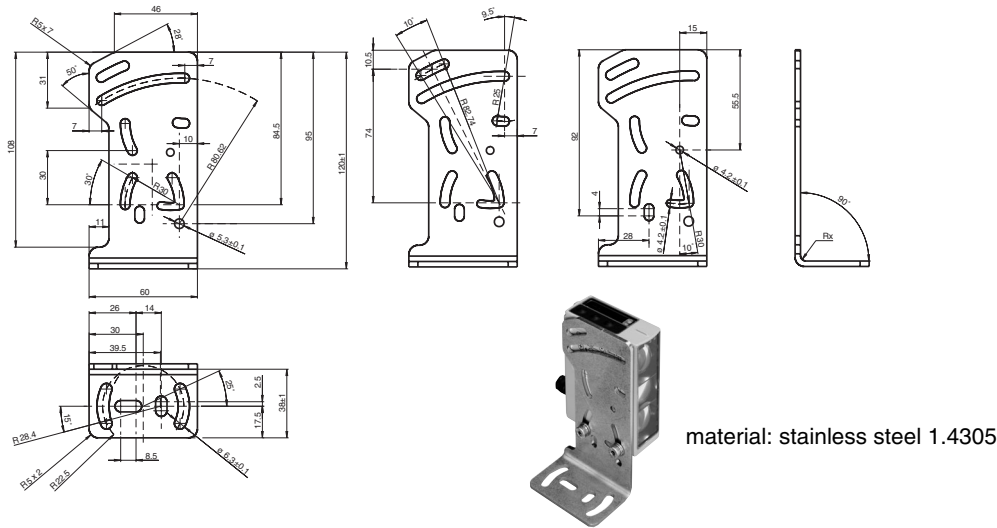
Optical data link
E3NT-AL232 2m



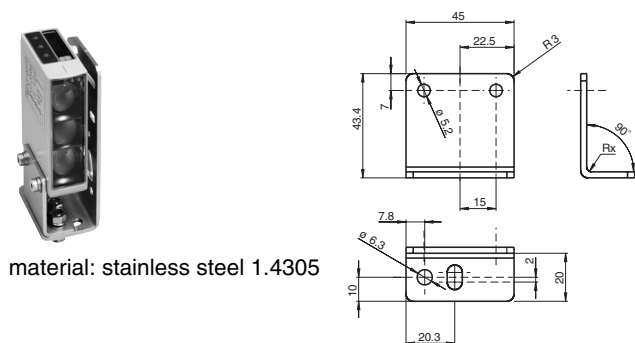
Laser alignment aid
E3NT-AP1



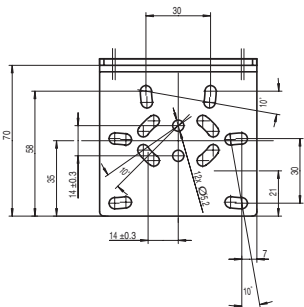
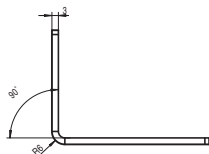
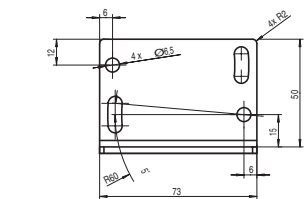
Universal mounting bracket
E39-EL1



Adapter bracket
E39-EL2



Replacement bracket for E3N with E3NT
E39-EL3



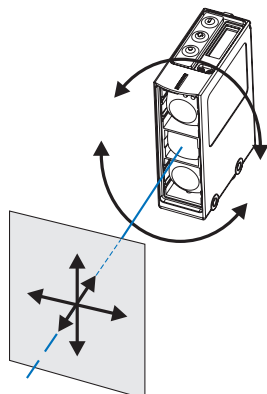
material: stainless steel 1.4305

Precautions

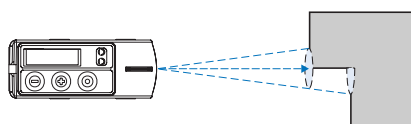
Mounting Directions

Sensor assembly

Contrary to sensors with single triangulation, E3NT with double triangulation, allows the measured object's direction of motion to be in all three directions. Thus, the rotatory position of the sensor about its optical axis can be chosen freely.



If the light spot is not completely on the same plane as the target object (minimum object size) the distance is not determined and malfunction can occur. If necessary a trigger signal or timer function has to be applied.

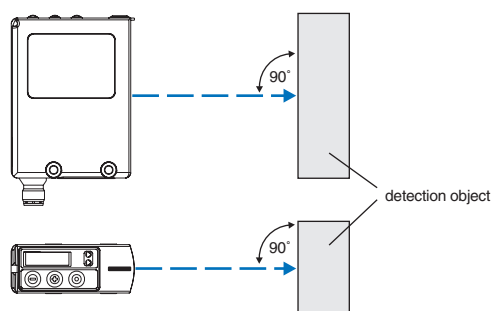


The sensor must be fitted so that:

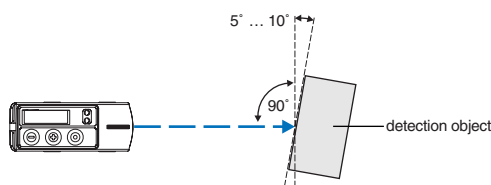
- It is correctly aligned before it is adjusted
- It is protected as far as possible against vibration and shock
- It is protected as far as possible against extraneous incident light
- It is protected as far as possible against damage and soiling
- Electrical connection is possible
- It is as accessible as far as possible for maintenance work
- Operation of the push buttons is possible
- The display is visible.

Sensor's assembly direction

As far as possible, the sensor's optical surface should be aligned parallel to the surface of the measured object.



If the measured object has a glossy, reflecting surface, the sensor's optical system should be tilted by 5 ... 10° in relation to the surface of the measured object.



If there is a reflecting surface in parallel with the sensor's optical axis, this might lead to unstable switching states.

Therefore, reflecting objects within the sensor's optical axis should be avoided.

If this should not be possible, the reflecting surface should not be parallel to the sensor's optical axis, but should be rotated by at least 10°.

Mirror-like objects can cause malfunction inside and outside the sensing range. Avoid mirror-like objects in or close to the optical axis.

Inspection and Maintenance

Cleaning

Do not use any scratching or abrasive cleaning materials. The protective pane of the optical system might get damaged.

The sensor requires no maintenance.

Remove dirt build up from the optical system and the display at regular intervals only with a soft, non abrasive fabric. Residual dirt may have influence on the switching point and display accuracy.

ALL DIMENSIONS SHOWN ARE IN MILLIMETERS.

To convert millimeters into inches, multiply by 0.03937. To convert grams into ounces, multiply by 0.03527.