

OMRON

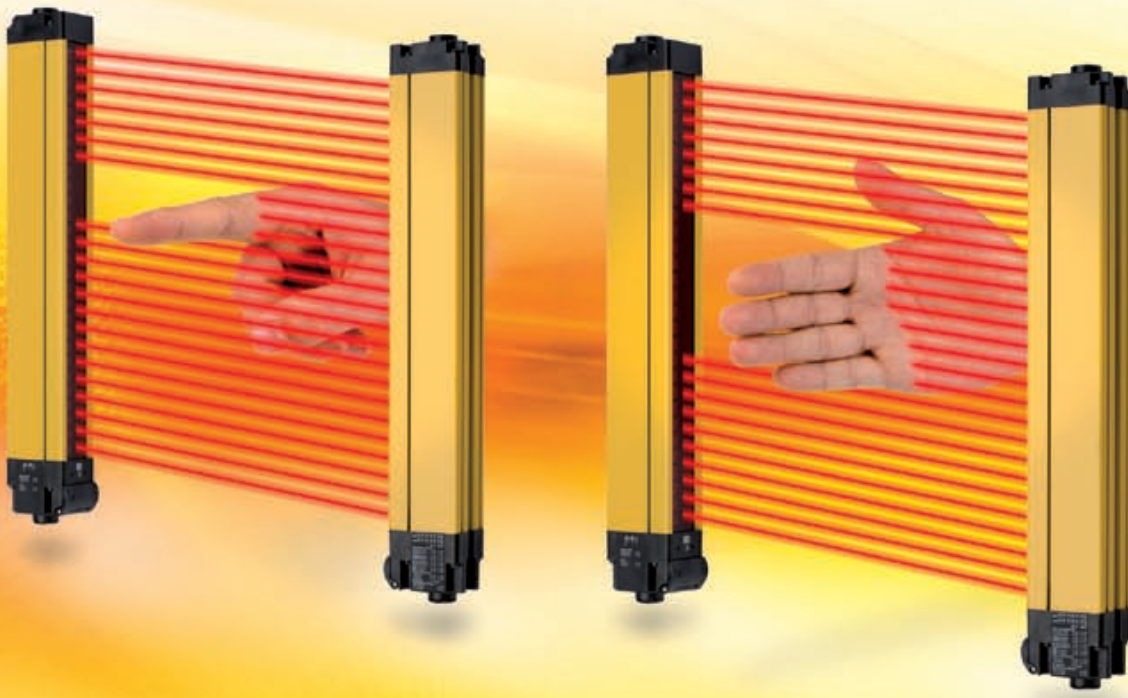


YOUR KEY TO SIMPLICITY IN SAFETY

All-IN-ONE safety light curtains MS2800 & MS4800

realizing

ALL-IN-ONE SAFETY LIGHT CURTAINS



EASY INSTALLATION IN A SEAMLESS CONCEPT:

- Type 2 or type 4 according to EN 61496
- Finger or hand protection (14 or 30 mm resolution)
- Max. operating range 7 m and 20 m, respectively
- Protective height:
 - 280 to 1800 mm (finger protection)
 - 240 to 2120 mm (hand protection)
- Intelligent alignment tool with LEDs:
 - Two indicators for type 2
 - Single-beam indicator for type 4
- All devices include (selectable):
 - External device monitoring (EDM)
 - Interlock/start /restart
 - Multiplex optical channels
- Additional multifunctional version with following functionalities:
 - Fixed blanking
 - Floating blanking
 - Muting
- Multi-cascadable up to 4 sets

FUNCTION SELECTION VIA DIP-SWITCHES

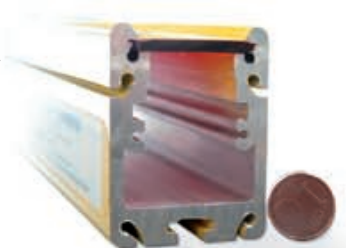
Easily accessible switches protected by a front cover

- Interlock/restart
- External Device Monitoring (EDM)
- Selectable scan codes
- Blanking (advanced version only)
- Range reduction



ROBUST WITH EXTRA THICK HOUSING

Up to 9 mm material thickness ensures enormous stability and axial stiffness even in tough industrial environments.



ADJUSTMENT WITH THE AID OF INTEGRATED LEDs

You can easily see an incorrect adjustment. The integrated LEDs make the starting and troubleshooting significantly easy. LEDs will indicate an incorrect adjustment or an interruption of the light curtain.



MS4800 offers an indicator for connection via M12 cable/plug each beam.



MS2800 has 2 LEDs - one for the upper and one for the lower range.

EASY MOUNTING AND COMMON WIRING FOR ALL TYPES

Assembly bracket rotates for every situation.

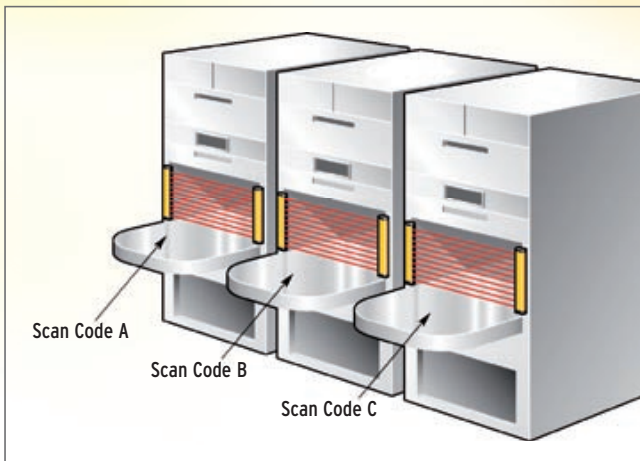


Easy to rotate and stable fixable.

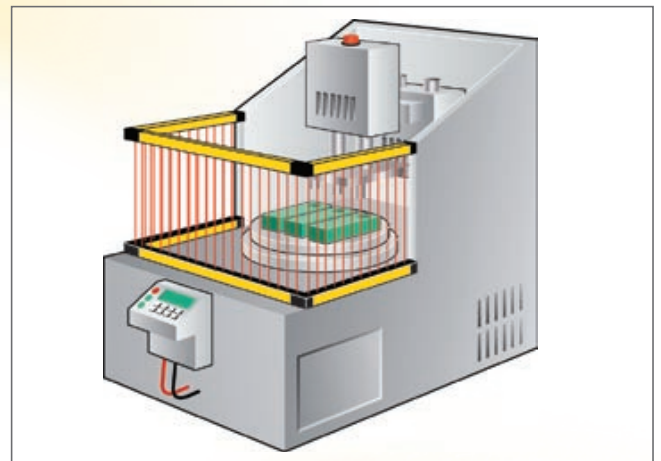


Connection via M12 cable/plug.

MULTIPLEX OPTICAL CHANNELS



MULTI-CASCADED VERSIONS



SAFETY MADE SIMPLE...

A clear view on machine safety starts with the new Omron Safety CD and online guide www.ce-safety.info



How can we support you?

- Please send me further information
- Please call to discuss
- Please remove me from the mailing list

Please do not forget to sign.

Name _____

Surname _____

Company _____

Department _____

Street _____

Zip code/City _____

Country _____

Telephone _____

Fax _____

Email _____

Signature _____

MS2800/4800 FAX-REPLY

OMRON EUROPE B.V. Wegalaan 67-69, NL-2132 JD, Hoofddorp, The Netherlands. Tel: +31 (0) 23 568 13 00 Fax: +31 (0) 23 568 13 88 www.omron-industrial.com

UNITED KINGDOM

Omron Electronics Ltd
Opal Drive, Fox Milne, Milton Keynes, MK15 0DG, UK
Tel: +44 (0) 870 752 08 61
Fax: +44 (0) 870 752 08 62
www.omron.co.uk

Czech Republic

Tel: +420 234 602 602
Fax: +420 234 602 607
www.omron-industrial.cz

Denmark

Tel: +45 43 44 00 11
Fax: +45 43 44 02 11
www.omron.dk

Finland

Tel: +358 (0) 207 464 200
Fax: +358 (0) 207 464 210
www.omron.fi

Hungary

Tel: +36 1 399 30 50
Fax: +36 1 399 30 60
www.omron.hu

Poland

Tel: +48 (0) 22 645 78 60
Fax: +48 (0) 22 645 78 63
www.omron.pl

Russia

Tel: +7 495 648 94 50
Fax: +7 495 648 94 51/52
www.omron-industrial.ru

Sweden

Tel: +46 (0) 8 632 35 00
Fax: +46 (0) 8 632 35 10
www.omron.se

Turkey

Tel: +90 216 474 00 40
Fax: +90 216 474 00 40
www.omron.com.tr

More Omron representatives

www.omron-industrial.com

Autorised distributor: